

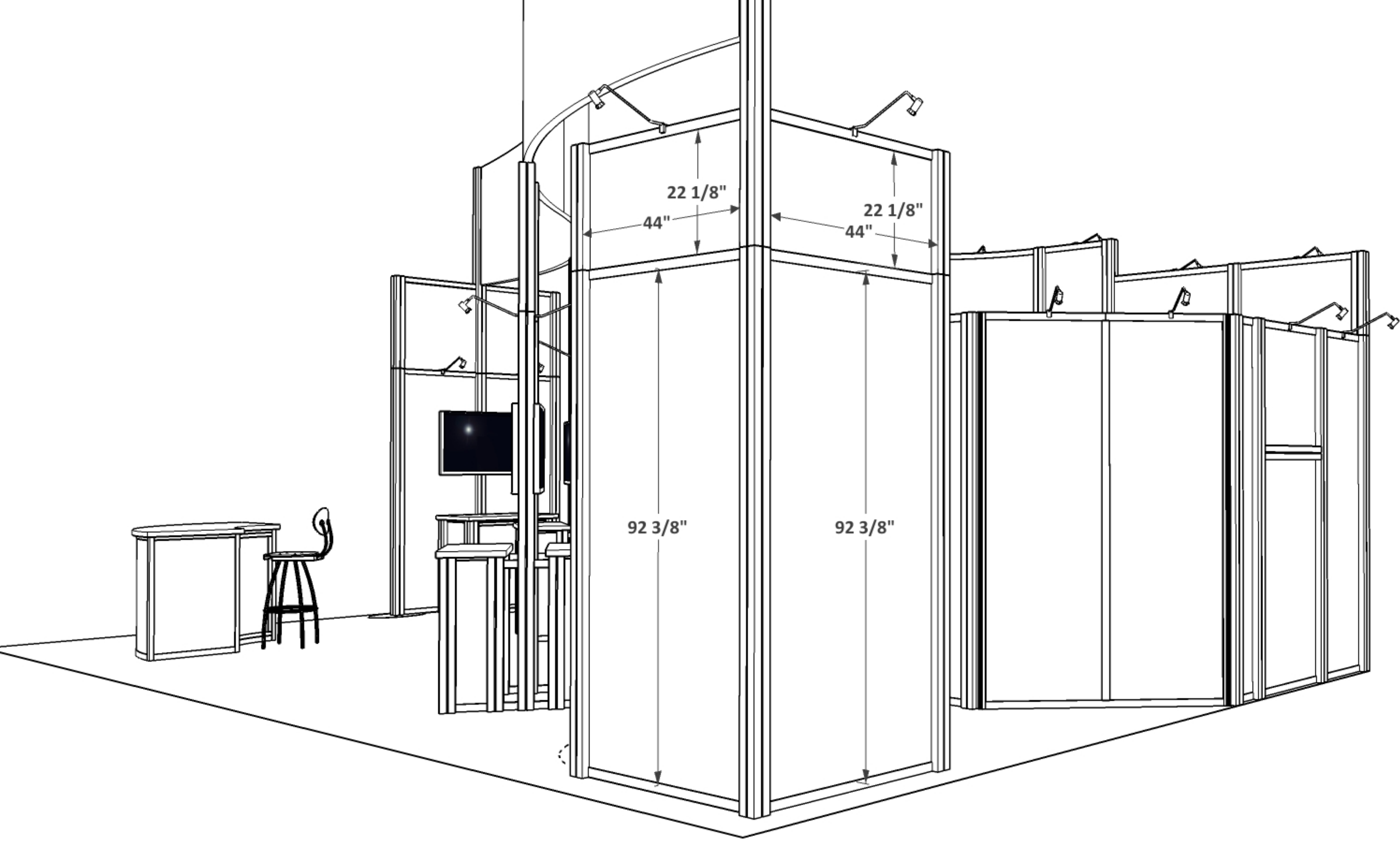
44"

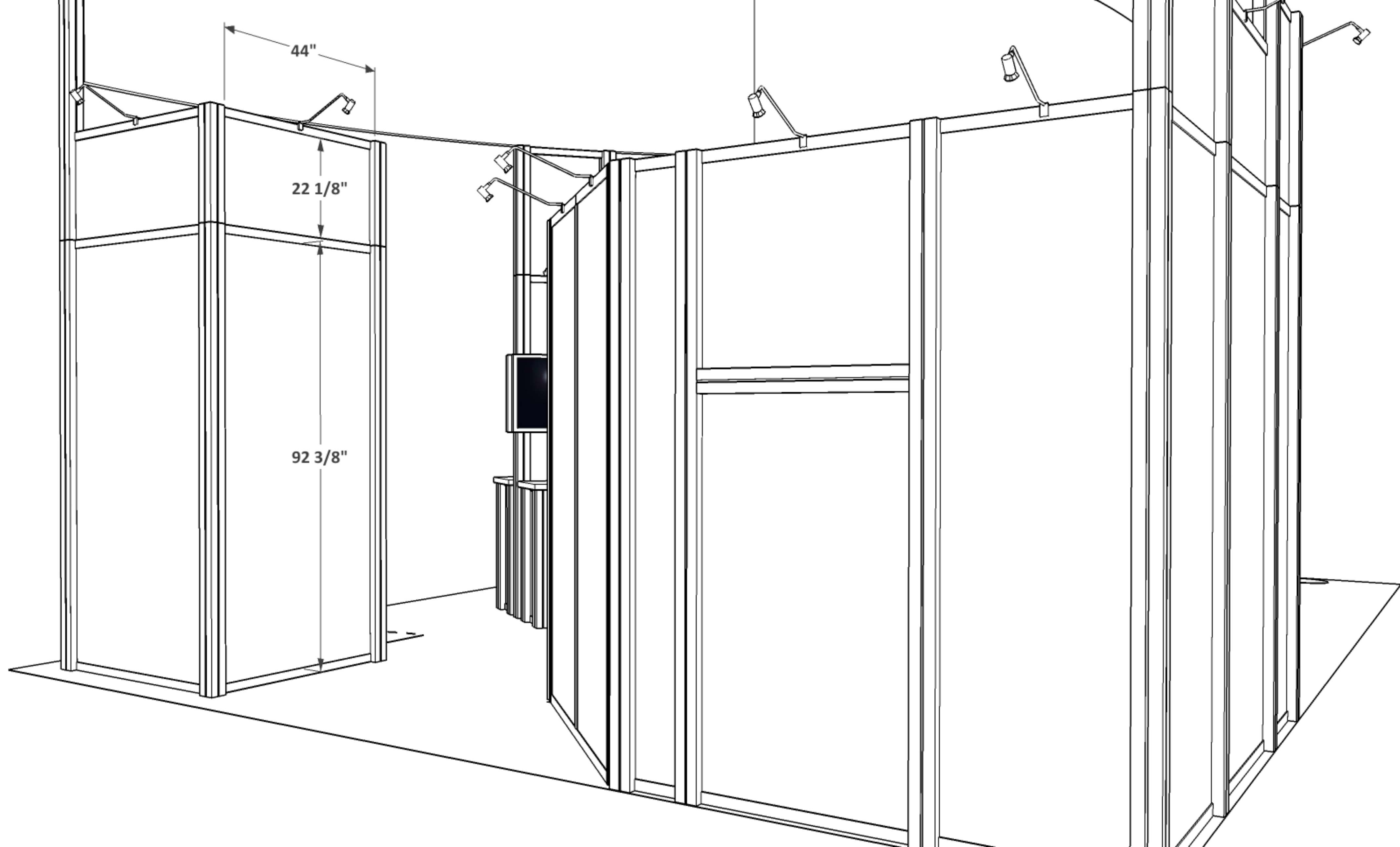
22 1/8"

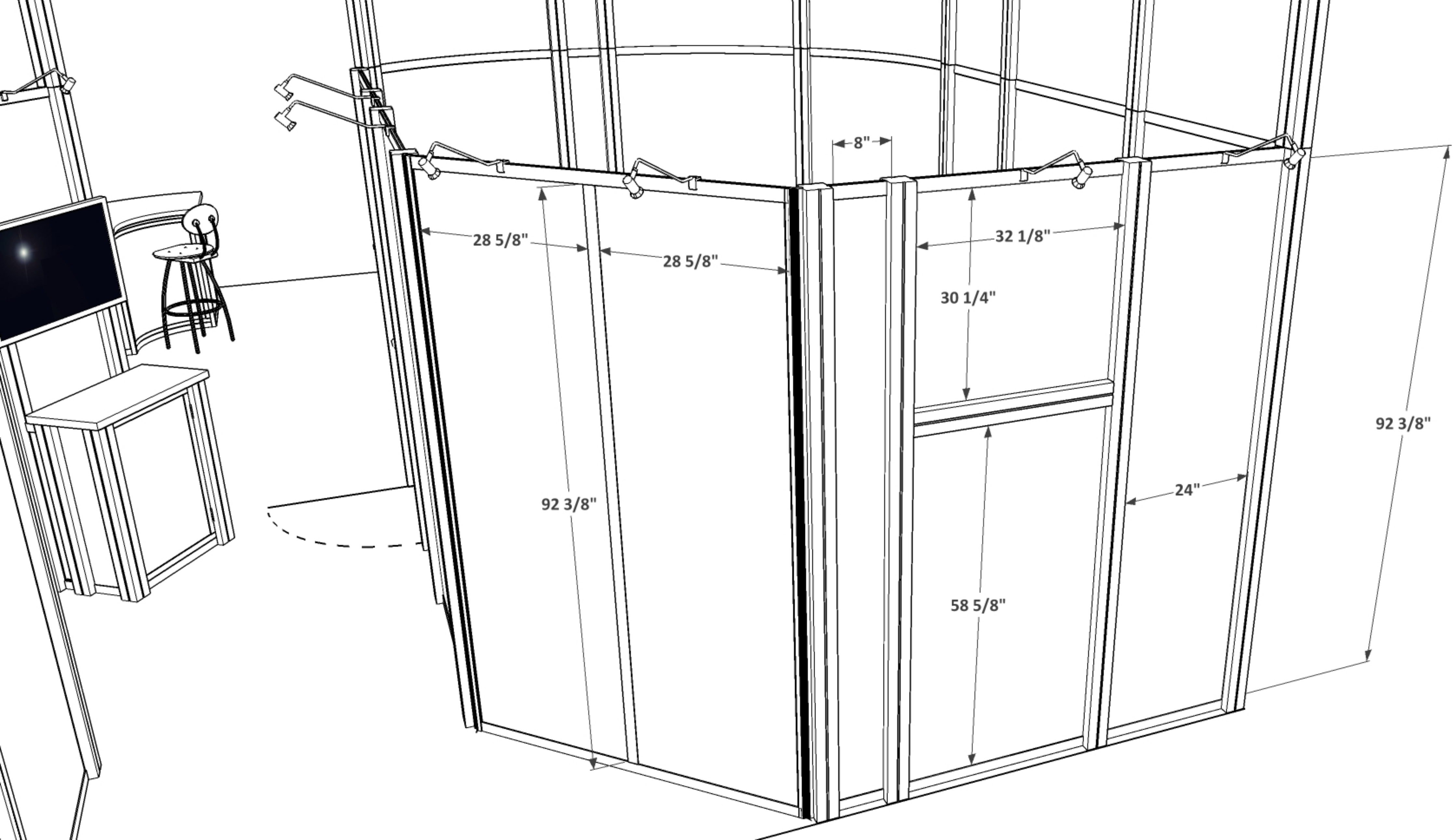
10 1/8"

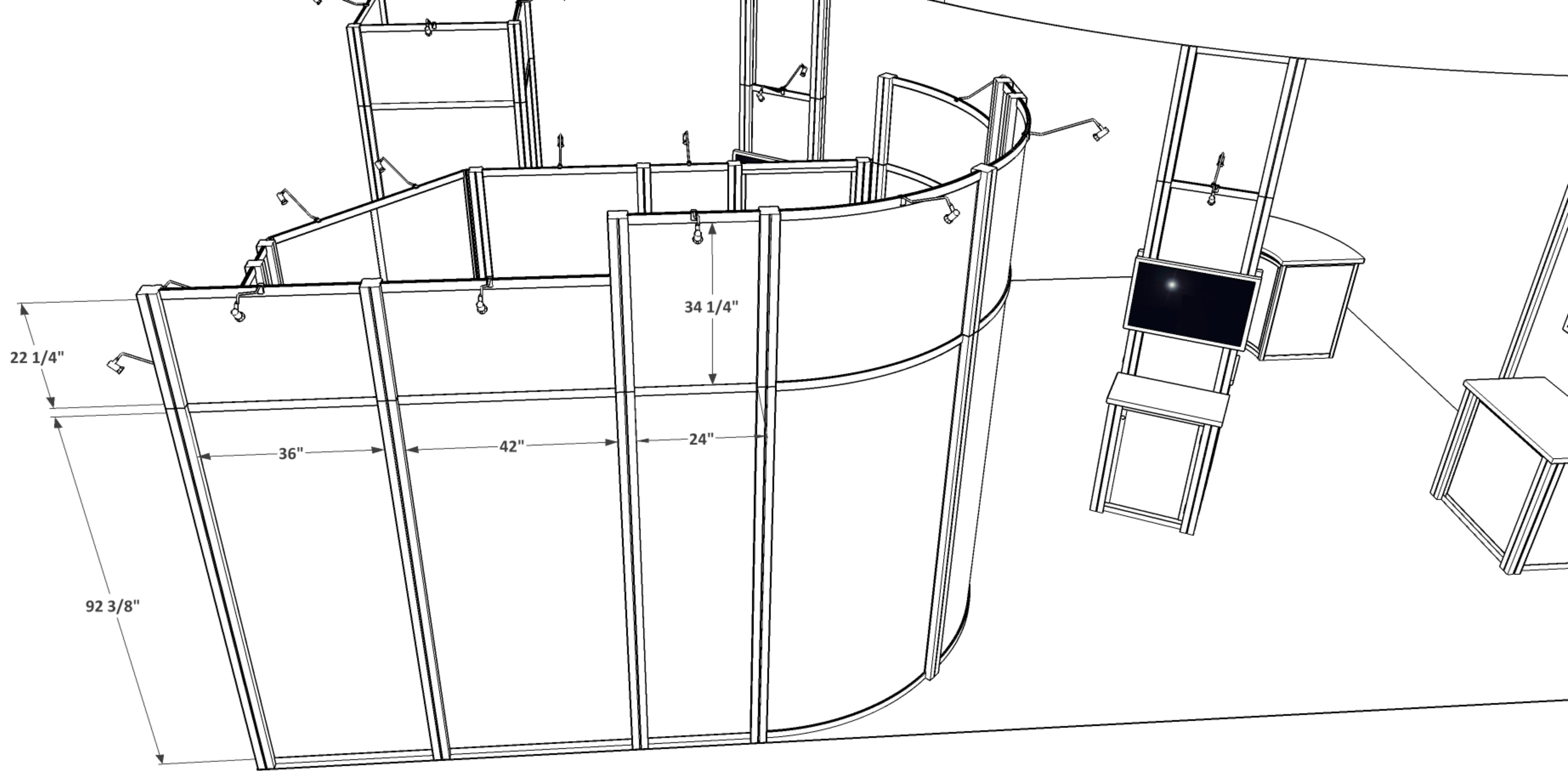
door

92 3/8"

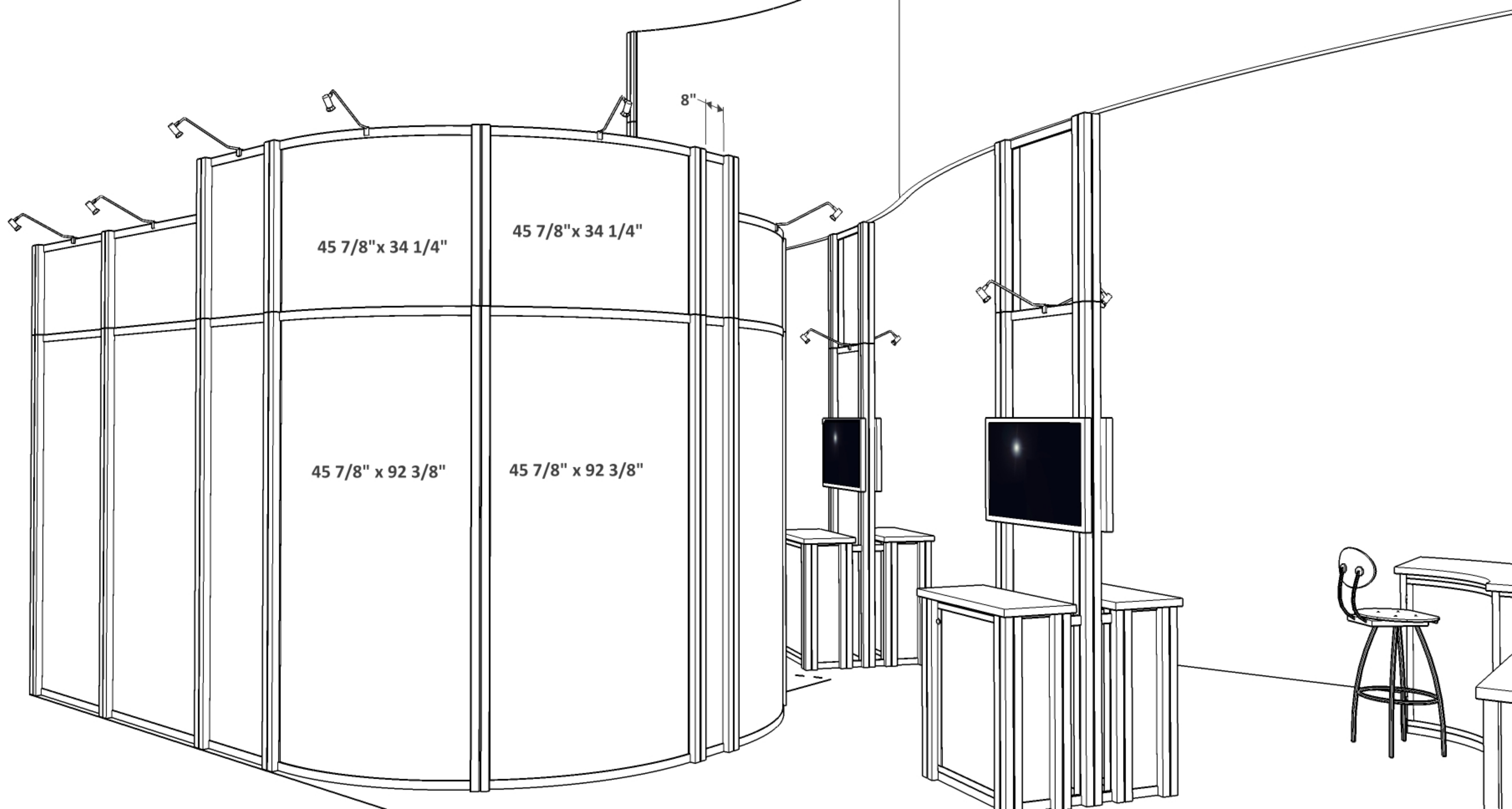


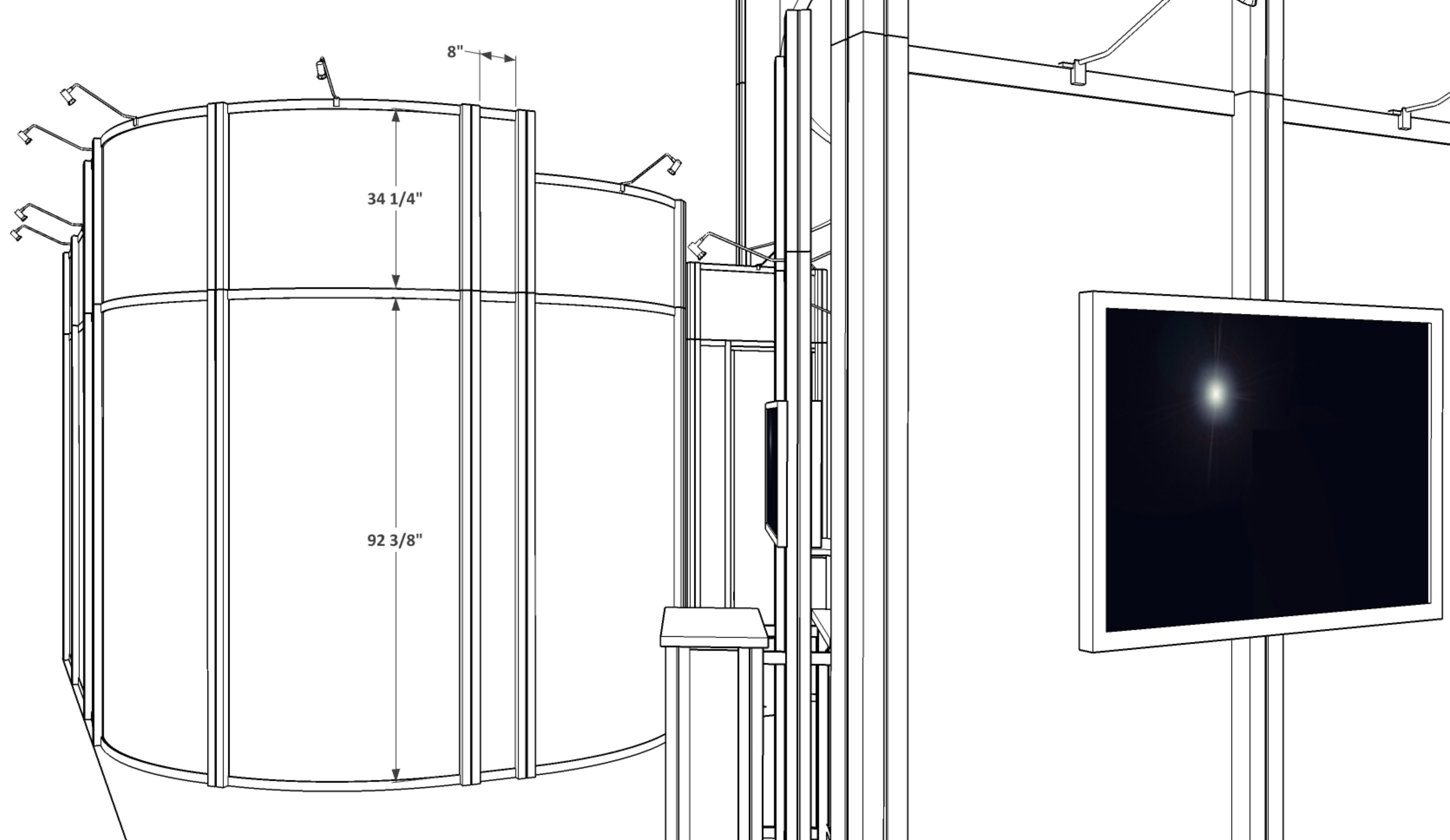










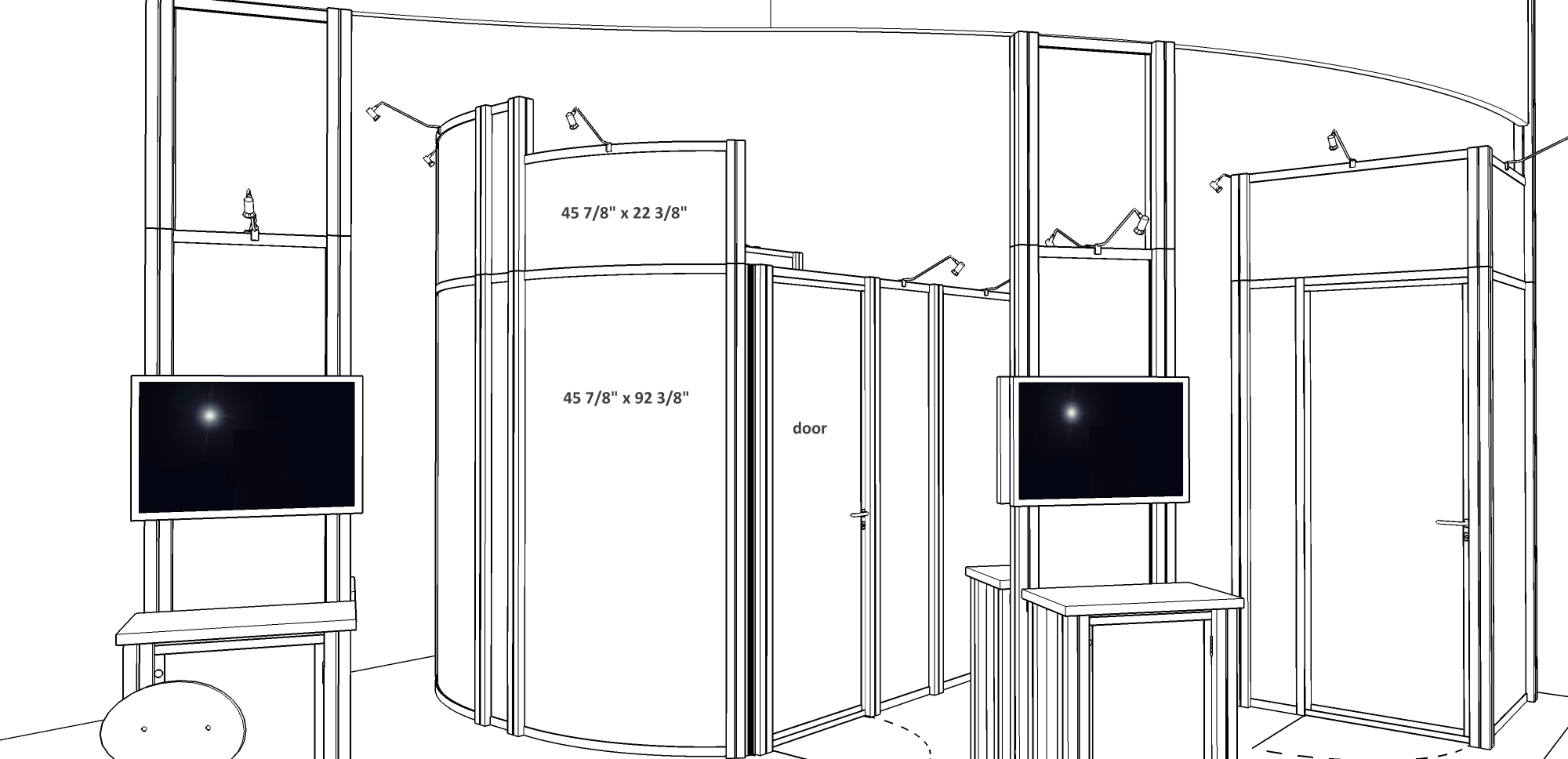


8"

34 1/4"

92 3/8"





$45\frac{7}{8}'' \times 22\frac{3}{8}''$

$45\frac{7}{8}'' \times 92\frac{3}{8}''$

door

